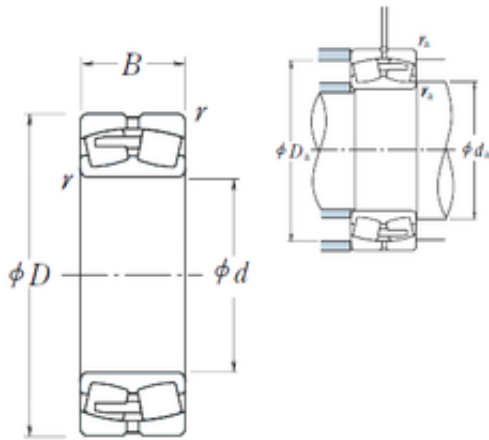




# Liaocheng City Hsn Bearing Co., Ltd.



## 360 mm x 650 mm x 232 mm NSK 23272CAE4 Spherical Roller Bearing

Bearing No. 23272CAE4

23272CAE4 Bearing 2D drawings and 3D CAD models

Size	360x650x232 mm
Bore Diameter	360 mm
Outer Diameter	650 mm
Width	232 mm
d	360 mm
D	650 mm
B	232 mm
C	232 mm
r min.	6 mm
da min.	388 mm
Da min	549 mm
Da max.	622 mm
ra max.	5 mm
Weight	342 Kg
Basic dynamic load rating (C)	4800 kN
Basic static load rating (C0)	8550 kN
(Grease) Lubrication Speed	380 r/min
(Oil) Lubrication Speed	500 r/min
Calculation factor (e)	0,36
Calculation factor (Y0)	1,8
Calculation factor (Y2)	2,8