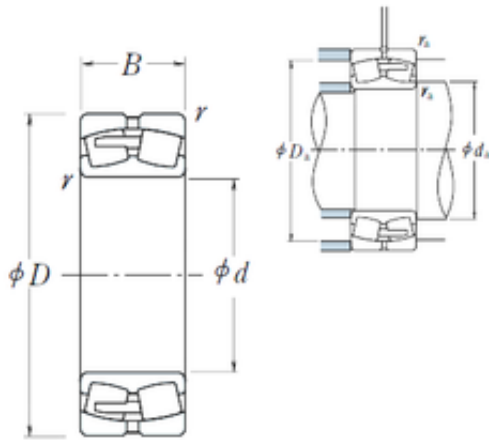




# Liaocheng City Hsn Bearing Co., Ltd.



## 320 mm x 440 mm x 90 mm NSK 23964CAE4 Spherical Roller Bearing

Bearing No. 23964CAE4

23964CAE4 Bearing 2D drawings and 3D CAD models

Size	320x440x90 mm
Bore Diameter	320 mm
Outer Diameter	440 mm
Width	90 mm
d	320 mm
D	440 mm
B	90 mm
C	90 mm
r min.	3 mm
da min.	334 mm
Da min	406 mm
Da max.	426 mm
ra max.	2,5 mm
Weight	40,6 Kg
Basic dynamic load rating (C)	1300 kN
Basic static load rating (C0)	2750 kN
(Grease) Lubrication Speed	670 r/min
(Oil) Lubrication Speed	850 r/min
Calculation factor (e)	0,18
Calculation factor (Y0)	3,6
Calculation factor (Y2)	5,5