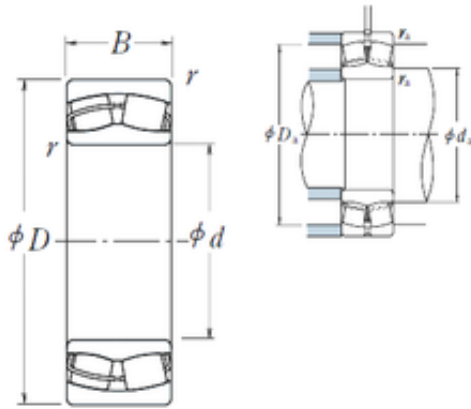




Liaocheng City Hsn Bearing Co., Ltd.



170 mm x 310 mm x 110 mm NSK 23234CE4 Spherical Roller Bearing

Bearing No. 23234CE4

23234CE4 Bearing 2D drawings and 3D CAD models

Size	170x310x110 mm
Bore Diameter	170 mm
Outer Diameter	310 mm
Width	110 mm
d	170 mm
D	310 mm
B	110 mm
C	110 mm
r min.	4 mm
da min.	188 mm
da max	201 mm
Da min	261 mm
Da max.	292 mm
ra max.	3 mm
Weight	36,4 Kg
Basic dynamic load rating (C)	1200 kN
Basic static load rating (C0)	1910 kN
(Grease) Lubrication Speed	900 r/min
(Oil) Lubrication Speed	1200 r/min
Calculation factor (e)	0,34
Calculation factor (Y0)	1,9
Calculation factor (Y2)	2,9
Category	Roller Bearings
Inventory	0.0
Manufacturer Name	NSK



Liaocheng City Hsn Bearing Co., Ltd.

Minimum Buy Quantity	N/A
Weight / Kilogram	36.3
EAN	0029176411991
Product Group	B04311
Y3	2
hidYobi	23234CE4
LangID	1
Y1	2
D_	310
Y2	2.9
Macha rpm	0
B_	110
da min	188
hidTable	ecat_NSSPHR
Oil rpm	1200
Y0	1.9
mass	36.4
GRS rpm	900
ra	3
TSR rpm	1400
C0	1910
DE_	274.956
X0	1
Prod_Type3	SRB_CTB_CB
X1	1
X2	0.67
SIR	44
e	0.34
DA_	34
bomp	23234CE4
Z_	18
ALP2	50



Liaocheng City Hsn Bearing Co., Ltd.

ALP1	12
ALP3	0
D_a max	292
D_a min	261
yobi	23234CE4
ALPHA_	0.224
SDM_	241.805
r	4
KBRG	2322
SBRG	32
DI_	208.654