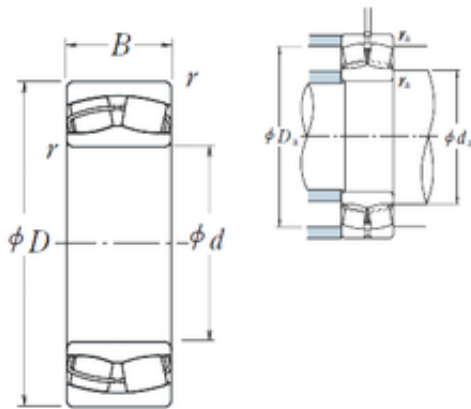




Liaocheng City Hsn Bearing Co., Ltd.



160 mm x 240 mm x 80 mm NSK 24032CE4 Spherical Roller Bearing

Bearing No. 24032CE4

24032CE4 Bearing 2D drawings and 3D CAD models

Size	160x240x80 mm
Bore Diameter	160 mm
Outer Diameter	240 mm
Width	80 mm
d	160 mm
D	240 mm
B	80 mm
C	80 mm
r min.	2,1 mm
da min.	172 mm
da max	177 mm
Da min	212 mm
Da max.	228 mm
ra max.	2 mm
Weight	12,7 Kg
Basic dynamic load rating (C)	680 kN
Basic static load rating (C0)	1260 kN
(Grease) Lubrication Speed	1100 r/min
(Oil) Lubrication Speed	1400 r/min
Calculation factor (e)	0,3
Calculation factor (Y0)	2,2
Calculation factor (Y2)	3,4
Category	Spherical Roller Bearings
Inventory	0.0
Manufacturer Name	NSK



Liaocheng City Hsn Bearing Co., Ltd.

Minimum Buy Quantity	N/A
Weight / Kilogram	12
EAN	0029176025877
Product Group	B04311
Internal Clearance	C0-Medium
Mounting Method	Shaft Mount
Rolling Element	Spherical Roller Bearing
Bore Profile	Straight
Cage Material	Steel
Enclosure	Open
Number of Rows of Rollers	Double Row
Relubricatable	Yes
Withdrawal Sleeve	Not Applicable
Inch - Metric	Metric
Long Description	160MM Straight Bore; 240MM Outside Diameter; 80MM Width; C0-Medium Clearance; Shaft Mount; Double Row of Spherical Roller Bearings; Steel Cage Material; Open Enclosure; Relubricatable
Category	Spherical Roller Bearing
UNSPSC	31171510
Harmonized Tariff Code	84823080
Noun	Bearing
Keyword String	Spherical
Manufacturer URL	http://www.nskamericas.com
Manufacturer Item Number	24032CE4
Weight / LBS	12
Adapter Part Number	Not Applicable Inch Not Applicable Millimeter
Outside Diameter	9.449 Inch 240 Millimeter
Bore	6.299 Inch 160 Millimeter



Liaocheng City Hsn Bearing Co., Ltd.

Width	3.15 Inch 80 Millimeter
Y3	2.3
hidYobi	24032CE4
LangID	1
Y1	2.3
D_	240
Y2	3.4
Macha rpm	0
B_	80
da min	172
hidTable	ecat_NSSPHR
Oil rpm	1400
Y0	2.2
mass	12.7
GRS rpm	1100
ra	2
TSR rpm	1800
C0	1260
DE_	220.677
X0	1
Prod_Type3	SRB_CTB_CB
X1	1
X2	0.67
SIR	32
e	0.3
DA_	20
bomp	24032CE4
Z_	26
ALP2	15
ALP1	11
ALP3	0
D_a max	228



Liaocheng City Hsn Bearing Co., Ltd.

D_a min	212
yobi	24032CE4
ALPHA_	0.196
SDM_	201.061
r	2.1
KBRG	2322
SBRG	40
DI_	181.445