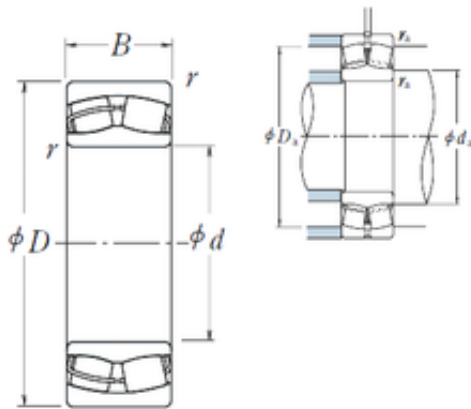




Liaocheng City Hsn Bearing Co., Ltd.



150 mm x 250 mm x 100 mm NSK 24130CE4 Spherical Roller Bearing

Bearing No. 24130CE4

24130CE4 Bearing 2D drawings and 3D CAD models

Size	150x250x100 mm
Bore Diameter	150 mm
Outer Diameter	250 mm
Width	100 mm
d	150 mm
D	250 mm
B	100 mm
C	100 mm
r min.	2,1 mm
da min.	162 mm
da max	169 mm
Da min	212 mm
Da max.	238 mm
ra max.	2 mm
Weight	19,8 Kg
Basic dynamic load rating (C)	890 kN
Basic static load rating (C0)	1530 kN
(Grease) Lubrication Speed	1100 r/min
(Oil) Lubrication Speed	1400 r/min
Calculation factor (e)	0,38
Calculation factor (Y0)	1,7
Calculation factor (Y2)	2,6
Category	Roller Bearings
Inventory	0.0
Manufacturer Name	NSK



Liaocheng City Hsn Bearing Co., Ltd.

Minimum Buy Quantity	N/A
Weight / Kilogram	0.337
EAN	0029176412080
Product Group	B04311
Y3	1.8
hidYobi	24130CE4
LangID	1
Y1	1.8
D_	250
Y2	2.6
Macha rpm	0
B_	100
da min	162
hidTable	ecat_NSSPHR
Oil rpm	1400
Y0	1.7
mass	19.8
GRS rpm	1100
ra	2
TSR rpm	1400
C0	1530
DE_	224.778
X0	1
Prod_Type3	SRB_CTB_CB
X1	1
X2	0.67
SIR	40
e	0.38
DA_	25
bomp	24130CE4
Z_	21
ALP2	20



Liaocheng City Hsn Bearing Co., Ltd.

ALP1	14
ALP3	0
D_a max	238
D_a min	212
yobi	24130CE4
ALPHA_	0.25
SDM_	200.556
r	2.1
KBRG	2322
SBRG	41
DI_	176.335