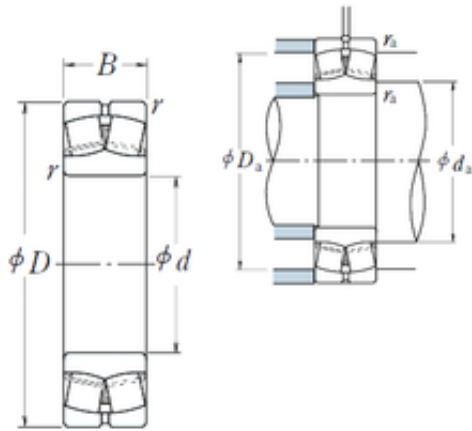




# Liaocheng City Hsn Bearing Co., Ltd.



## 100 mm x 180 mm x 46 mm NSK 22220EAE4 Spherical Roller Bearing

Bearing No. 22220EAE4

22220EAE4 Bearing 2D drawings and 3D CAD models

Size	100x180x46 mm
Bore Diameter	100 mm
Outer Diameter	180 mm
Width	46 mm
d	100 mm
D	180 mm
B	46 mm
C	46 mm
r min.	2,1 mm
da min.	112 mm
da max	119 mm
Da min	160 mm
Da max.	168 mm
ra max.	2 mm
Weight	4,84 Kg
Basic dynamic load rating (C)	365 kN
Basic static load rating (C0)	490 kN
(Grease) Lubrication Speed	2400 r/min
(Oil) Lubrication Speed	3200 r/min
Calculation factor (e)	0,24
Calculation factor (Y0)	2,8
Calculation factor (Y2)	4,3
Category	Spherical Roller Bearings
Inventory	0.0
Manufacturer Name	NSK



## Liaocheng City Hsn Bearing Co., Ltd.

Minimum Buy Quantity	N/A
Weight / Kilogram	4.92
EAN	0029176411489
Product Group	B04311
Internal Clearance	C0-Medium
Mounting Method	Shaft Mount
Rolling Element	Spherical Roller Bearing
Bore Profile	Straight
Cage Material	Steel
Enclosure	Open
Number of Rows of Rollers	Double Row
Relubricatable	Yes
Withdrawal Sleeve	Not Applicable
Inch - Metric	Metric
Long Description	100MM Straight Bore; 180MM Outside Diameter; 46MM Width; C0-Medium Clearance; Shaft Mount; Double Row of Spherical Roller Bearings; Steel Cage Material; Open Enclosure; Relubricatable
Category	Spherical Roller Bearing
UNSPSC	31171510
Harmonized Tariff Code	84823080
Noun	Bearing
Keyword String	Spherical
Manufacturer URL	<a href="http://www.nskamericas.com">http://www.nskamericas.com</a>
Manufacturer Item Number	22220EAE4
Weight / LBS	4.92
Bore	3.937 Inch   100 Millimeter
Outside Diameter	7.087 Inch   180 Millimeter
Width	1.811 Inch   46 Millimeter
Adapter Part Number	Not Applicable Inch   Not



## Liaocheng City Hsn Bearing Co., Ltd.

	Applicable Millimeter
bore diameter:	100 mm
maximum rpm:	3600 RPM
outside diameter:	180 mm
operating temperature range:	Maximum of +200 ° C
overall width:	46 mm
cage material:	Steel
bore type:	Straight
bearing material:	Steel
outer ring type:	Not Split
cage type:	Roller Guided
internal clearance:	C0
precision rating:	RBEC 1 (ISO Class Normal)
closure type:	Open
finish/coating:	Uncoated
lubrication hole type:	Lubrication Groove & Hole
outer ring width:	46 mm
dynamic load capacity:	455000 N
fillet radius:	2.1 mm
static load capacity:	490000 N
series:	222
Y3	2.9
hidYobi	22220EAE4
LangID	1
Y1	2.9
D_	180
Y2	4.3
Macha rpm	4300
B_	46
da min	112
hidTable	ecat_NSSPHR



## Liaocheng City Hsn Bearing Co., Ltd.

Oil rpm	3600
Y0	2.8
mass	4.84
GRS rpm	2800
ra	2
TSR rpm	3600
C0	490
DE_	163.105
X0	1
Prod_Type3	SRB_CTB_CB
X1	1
X2	0.67
SIR	18.2
e	0.24
DA_	20.9
bomp	22220EAE4
Z_	19
ALP2	55
ALP1	8
ALP3	0
D_a max	168
D_a min	160
yobi	22220EAE4
HPS	HPS
ALPHA_	0.156
SDM_	142.457
r	2.1
KBRG	2328
SBRG	22
DI_	121.81